



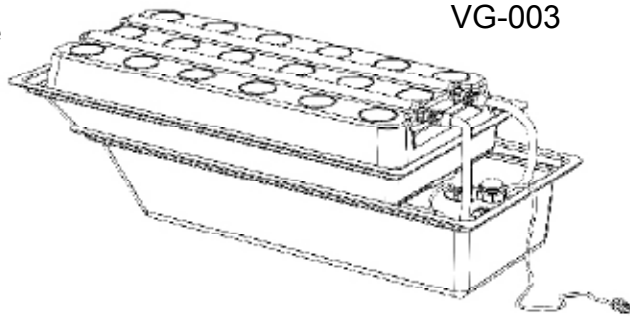
M-10002  
VG-003

Rev. 000

**Manuel d'assemblage**  
**Assembly manual**

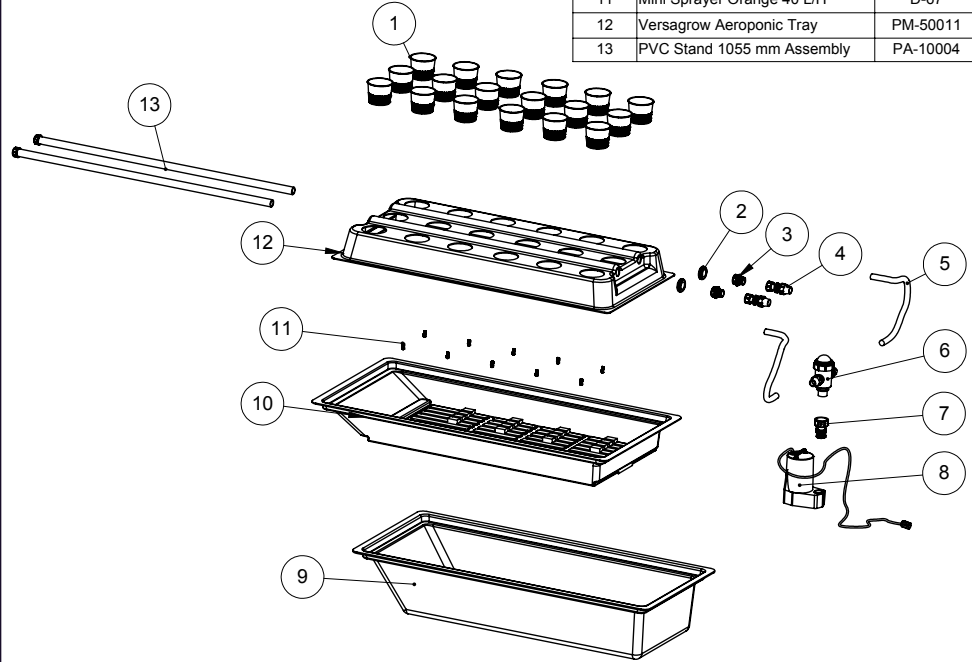
Pompe minimum recommandé  
1250 GPH/ 25' pied de tête.

Required min. pump 1250 GPH  
with 25 head feet.



VG-003

#	Description	PartNo	QTY
1	3.5" Net Pot	D-30	18
2	Rubber Grommet	D-40	2
3	Reducer Male-Female 3/4"	D-48	2
4	Quick Coupling 3/4"x20mm	D-74	2
5	Versagrow Flexible Pipe	P-10010	2
6	Small Tee Filter	D-49	1
7	Connection F-M 1 Inch	D-79	1
8	Pump 1250 GPH/25' Head Feet	D-87	1
9	Versagrow Reservoir	PM-50002	1
10	Versagrow Culture Table	PM-50001	1
11	Mini Sprayer Orange 40 L/H	D-67	10
12	Versagrow Aeroptic Tray	PM-50011	1
13	PVC Stand 1055 mm Assembly	PA-10004	2



**STEP BY STEP**  
**ÉTAPE PAR ÉTAPE**

